

Order / request form

Custom design milling arbors

Inquiry no. / order no.: _____ Date: _____

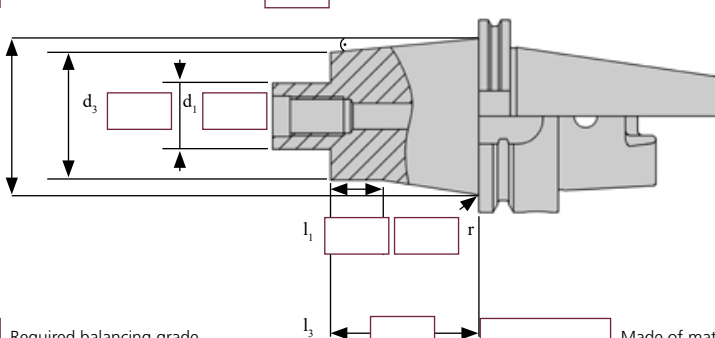
Company: _____

Address: _____

Department: _____ Administrator: _____

Telephone: _____ Fax: _____ E-mail: _____

Arbor for shell-type milling cutters



Desired delivery date Bracket Surface treatment Nickel Burnished

d_4 SK (Size) (DIN)

HRC HSK (Size) (Form)

Piece Coolant feed Central bore

Required balancing grade l_1 r Made of material Through the arbor collar

d_3 d_1

l_3

Note: Please fill out $d_3 = d_4$ for cylindrical design. 4 calendar weeks shorter delivery time for burnished surface.

Back office: _____ Sales representative: _____