

Order / request form

Custom design milling arbors

Inquiry no. / order no.: _____ Date: _____

Company: _____

Address: _____

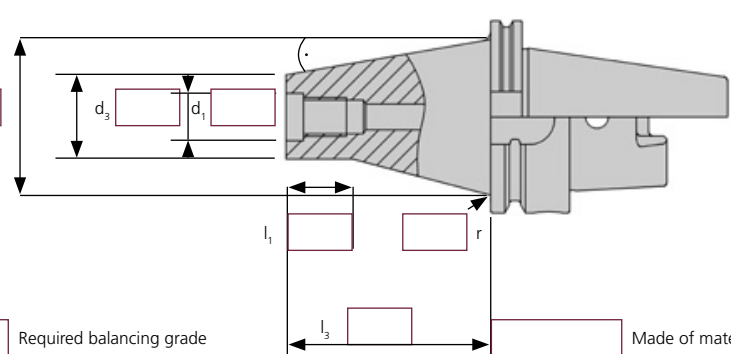
Department: _____ Administrator: _____

Telephone: _____ Fax: _____ E-mail: _____

Arbor for threaded shank end mills

<input type="text"/>	Desired delivery date	<input type="text"/>	Bracket	Surface treatment	<input type="text"/>	Nickel	<input type="text"/>	Burnished
----------------------	-----------------------	----------------------	---------	-------------------	----------------------	--------	----------------------	-----------

<input type="text"/>	d_4	<input type="text"/>	d_3	<input type="text"/>	d_1	<input type="text"/>	SK	<input type="text"/>	(Size)	<input type="text"/>	(DIN)
<input type="text"/>	HRC	<input type="text"/>	l_1	<input type="text"/>	r	<input type="text"/>	HSK	<input type="text"/>	(Size)	<input type="text"/>	(Form)
<input type="text"/>	Piece	<input type="text"/>	l_3	<input type="text"/>	<input type="text"/>	Made of material	Coolant feed	<input type="text"/>	Central bore	<input type="text"/>	Through the arbor collar
<input type="text"/>	Required balancing grade	<input type="text"/>	<input type="text"/>	<input type="text"/>	<input type="text"/>	<input type="text"/>	<input type="text"/>	<input type="text"/>	<input type="text"/>	<input type="text"/>	<input type="text"/>



Note: Please fill out $d_3 = d_4$ for cylindrical design. 4 calendar weeks shorter delivery time for burnished surface.

Back office: _____ Sales representative: _____